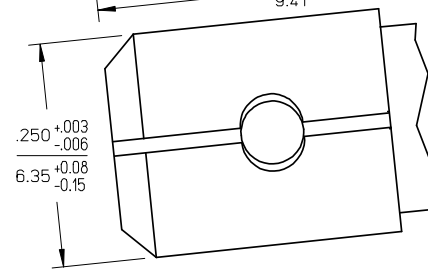
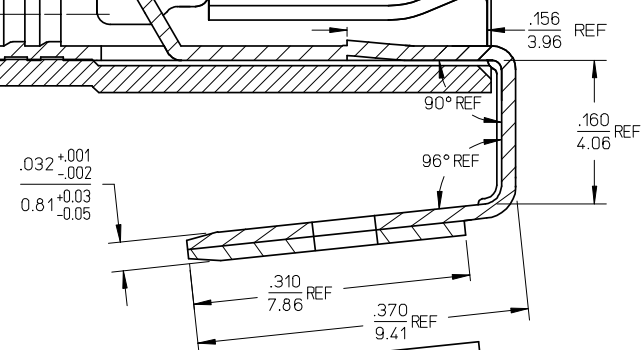
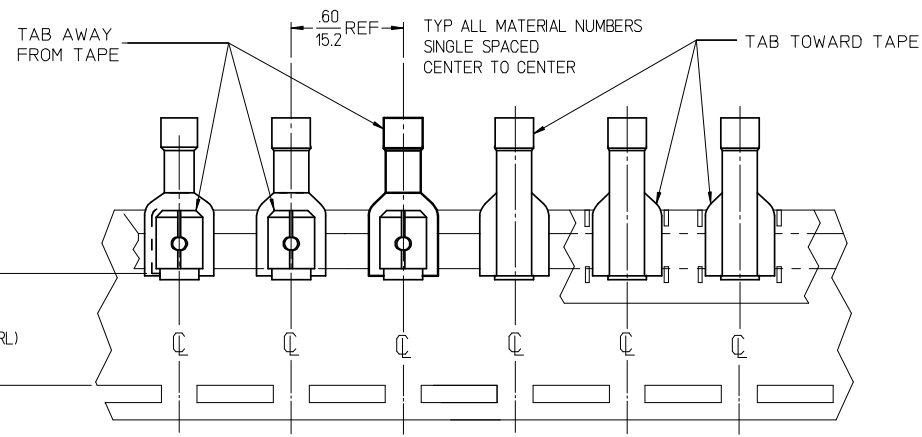
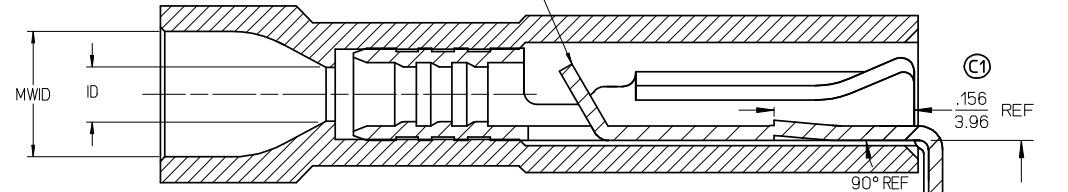
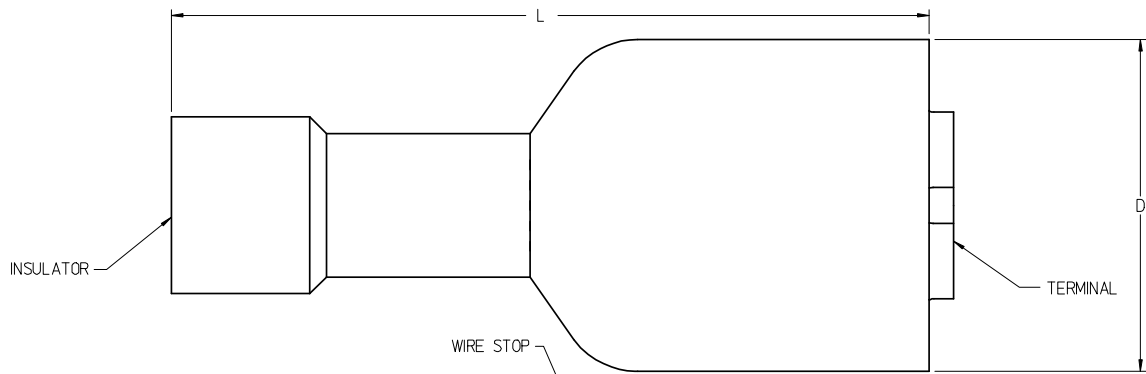


MATERIAL NO. LOOSE PC	ENGINEERING NO. LOOSE PC	MATERIAL NO. ON TAPE	ENGINEERING NO. ON TAPE	WIRE SIZE	INSULATOR COLOR	ID MIN REF	MWID	D MAX	L MAX	H NOMINAL (C1)	BARE TAB POSITION (C1)
190130025	AA-2317	190130026	AA-2317T	22-18 AWG	RED	.056/1.42	.138/3.50	.380/9.65	.860/21.84	.54/13.7	AWAY FROM TAPE
190130029	BB-2318	190130030	BB-2318T	16-14 AWG	BLUE	.081/2.06	.159/4.04	.380/9.65	.860/21.84	.54/13.7	AWAY FROM TAPE
190130033	C-2319	190130034	C-2319T	12-10 AWG	YELLOW	.147/3.73	.277/7.03	.380/9.65	1.030/26.162	.57/14.4	TOWARD TAPE



PARTS ON TAPE (C1)
(SCALE 2:1)

NOTES:

1. TERMINAL MATERIAL: BRASS
2. TERMINAL FINISH: TIN PLATED
3. INSULATOR MATERIAL: NYLON
4. MWID = MAXIMUM WIRE INSULATION DIAMETER.
5. ASSEMBLY IS ROHS COMPLIANT.

ADD TAPE DIAGRAM EC NO: WNA2008-0032 DRAWN: THRODHAL 2008/02/14 CHKD: JMACNEIL 2008/03/11 APPR: JMACNEIL 2008/03/11	QUALITY SYMBOLS	GENERAL TOLERANCES (UNLESS SPECIFIED)	DIMENSION STYLE IN/MM	SCALE 10:1	DESIGN UNITS INCH	THIRD ANGLE PROJECTION																																		
	<table border="1"> <tr> <td>4 PLACES</td> <td>±---</td> <td>±---</td> </tr> <tr> <td>3 PLACES</td> <td>±---</td> <td>±---</td> </tr> <tr> <td>2 PLACES</td> <td>±---</td> <td>±---</td> </tr> <tr> <td>1 PLACE</td> <td>±---</td> <td>±---</td> </tr> </table>	4 PLACES	±---	±---	3 PLACES	±---	±---	2 PLACES	±---	±---	1 PLACE	±---	±---	<table border="1"> <tr> <td>mm</td> <td>INCH</td> </tr> <tr> <td>±---</td> <td>±---</td> </tr> <tr> <td>±---</td> <td>±---</td> </tr> <tr> <td>±---</td> <td>±---</td> </tr> <tr> <td>±---</td> <td>±---</td> </tr> </table>	mm	INCH	±---	±---	±---	±---	±---	±---	±---	±---	<table border="1"> <tr> <td>DRAWN BY</td> <td>DATE</td> <td>TITLE</td> </tr> <tr> <td>BRE</td> <td>2003/03/19</td> <td rowspan="2">PIGGYBACK FIQD, .250 X .032 TAB, INSULKRIMP</td> </tr> <tr> <td>CHECKED BY</td> <td>DATE</td> </tr> <tr> <td>HEB</td> <td>2003/03/19</td> <td rowspan="2">MOLEX MOLEX INCORPORATED</td> </tr> <tr> <td>APPROVED BY</td> <td>DATE</td> </tr> <tr> <td>RWD</td> <td>2003/03/19</td> <td>DOCUMENT NO.</td> </tr> </table>	DRAWN BY	DATE	TITLE	BRE	2003/03/19	PIGGYBACK FIQD, .250 X .032 TAB, INSULKRIMP	CHECKED BY	DATE	HEB	2003/03/19	MOLEX MOLEX INCORPORATED	APPROVED BY	DATE	RWD	2003/03/19
4 PLACES	±---	±---																																						
3 PLACES	±---	±---																																						
2 PLACES	±---	±---																																						
1 PLACE	±---	±---																																						
mm	INCH																																							
±---	±---																																							
±---	±---																																							
±---	±---																																							
±---	±---																																							
DRAWN BY	DATE	TITLE																																						
BRE	2003/03/19	PIGGYBACK FIQD, .250 X .032 TAB, INSULKRIMP																																						
CHECKED BY	DATE																																							
HEB	2003/03/19	MOLEX MOLEX INCORPORATED																																						
APPROVED BY	DATE																																							
RWD	2003/03/19	DOCUMENT NO.																																						
DRAFT WHERE APPLICABLE MUST REMAIN WITHIN DIMENSIONS	SEE CHART	MATERIAL NO.	SD-19013-001	SHEET NO.	1 OF 1																																			
THIS DRAWING CONTAINS INFORMATION THAT IS PROPRIETARY TO MOLEX INCORPORATED AND SHOULD NOT BE USED WITHOUT WRITTEN PERMISSION																																								